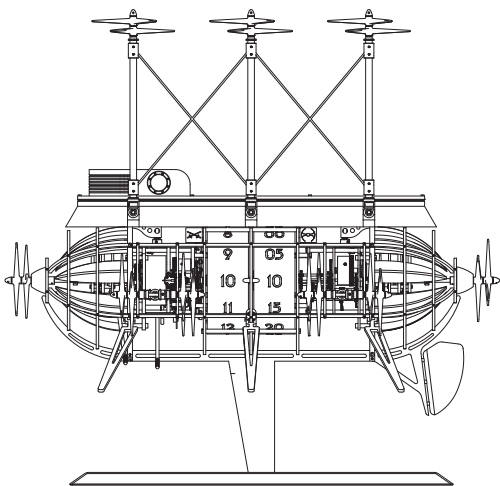


ALBATROSS

USER INSTRUCTIONS




L'ÉPÉE
1839

| **MB&F**

CONGRATULATIONS

You have just acquired Albatross, an advanced timepiece created from a partnership between L'Epée 1839 and MB&F.

Albatross has been developed with passion and care by our master watchmakers in Delémont – Switzerland

CONTENTS

Important information	4
Care and maintenance	5
Winding the timekeeping movement & the striking hour	6
Winding the animation	7
Activating the striking hour & the animation	8
On demand striking hour	9
Time setting	10
Hours and minutes display	11

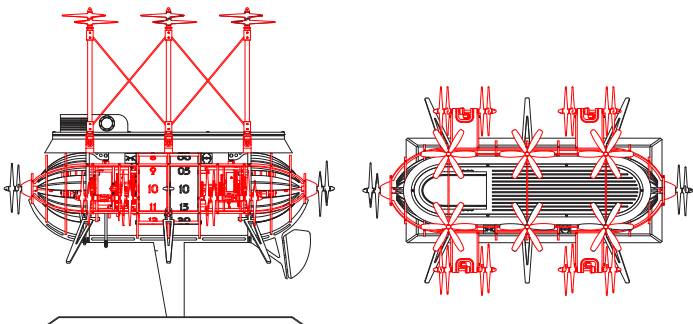
IMPORTANT INFORMATION

Please be very careful to never touch the red components pictured below.

The movement should never be in contact with any liquids - even in vaporized form. If it occurs, the clock should be serviced immediately.

A simple contact on certain pieces can generate delays in timekeeping, which can only be solved by servicing.

Fingerprints will also damage the coating.



CARE AND MAINTENANCE

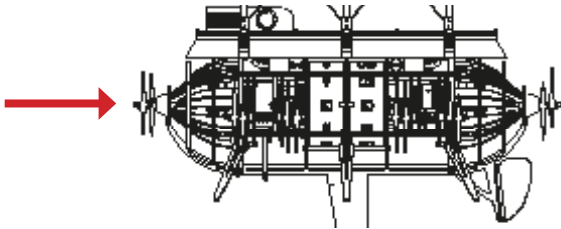
Use only a soft and dry cloth to clean the clock. Dust and particles contained in the cloth could scratch parts. Do not use any kind of cleaning products to wipe the clock . It is recommended to keep the clock distant from any source of heat or vibrations. To preserve the longevity and functionality of Albatross, do not permanently expose the clock to direct sunlight or in a humid or dusty place.

Our clocks are developed to ensure optimal accuracy and reliability. It is well accepted for a fine mechanical clock to have a few seconds' variation per day and our clocks are set so as not to delay. However if you should notice a bigger variation, please contact an authorized dealer who will advise you, or a L'Épée 1839 technical support center which will proceed with the necessary adjustment.

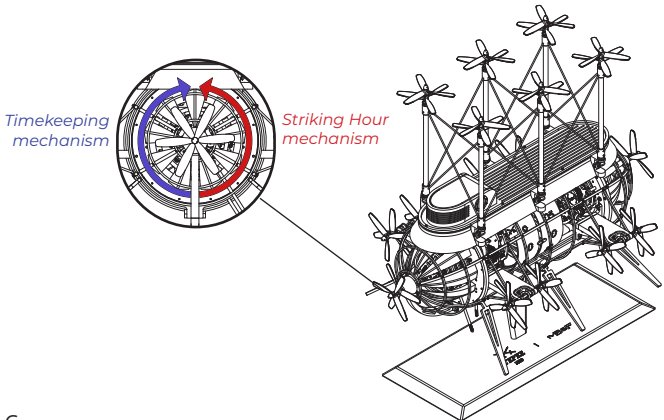
As for all Horological pieces of art, it is recommended to periodically service your clock. A mechanical masterpiece requires fine oils for the lubrication of the movement. These oils deteriorate over the years. We therefore advise having the movement serviced every 3 to 5 years. Be aware that the optimal period between servicing times can vary depending on the surrounding environmental conditions.

WINDING THE TIMEKEEPING MOVEMENT & THE STRIKING HOUR

1. To activate the winding mechanism, **push** the front propellers toward the crown.

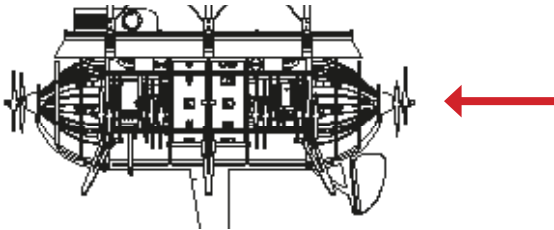


2. Rotate the crown :
 - **Clockwise** to wind the **timekeeping movement**
 - **Anti-clockwise** to wind the **striking hour**

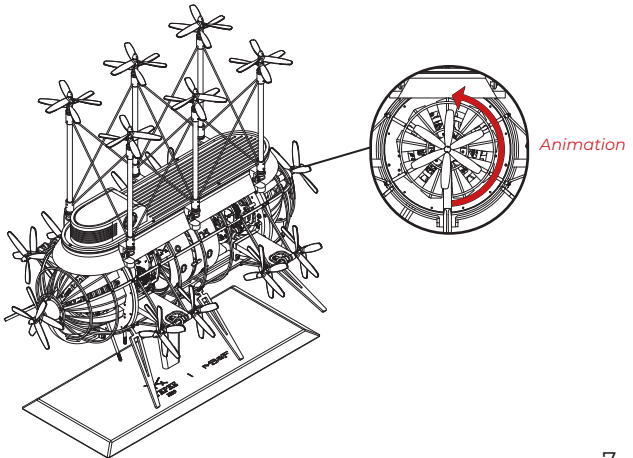


WINDING THE ANIMATION

1. To activate the winding mechanism, **push** the back propellers toward the crown



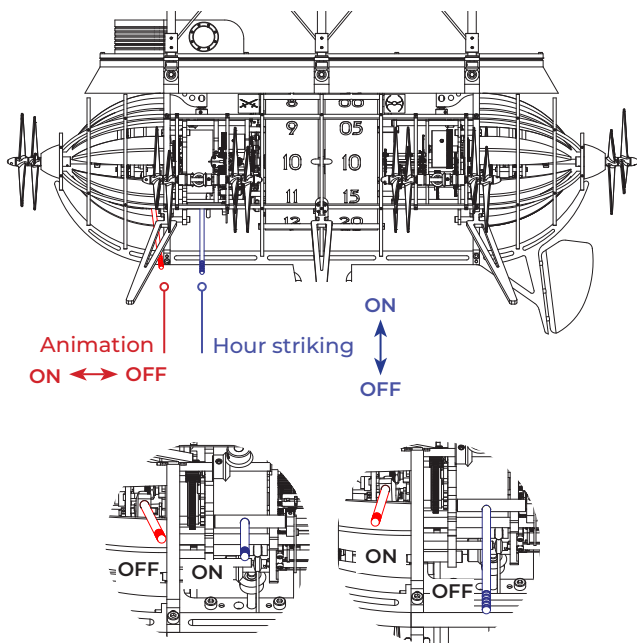
2. Rotate the crown **anti-clockwise** to wind the movement of the animation



ACTIVATING THE STRIKING HOUR AND THE ANIMATION

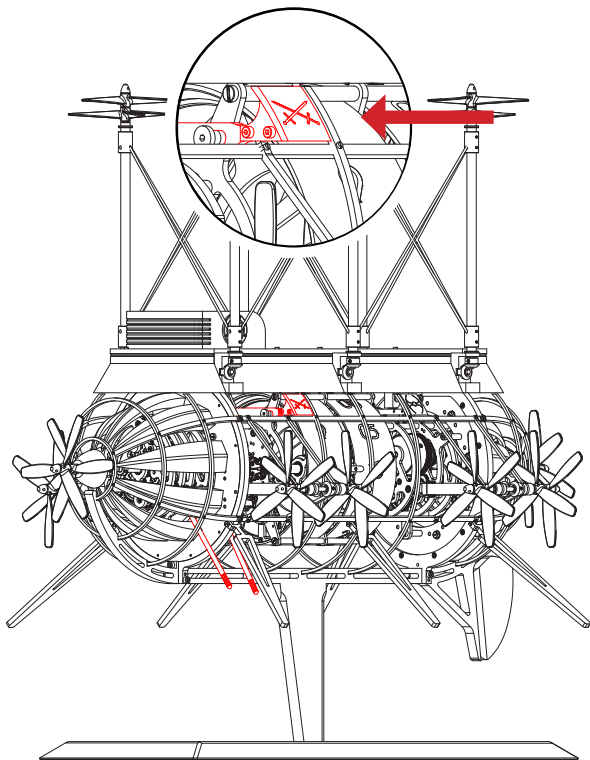
The two shift sticks on the bottom of the clock allow you to activate *the striking hour* and the *animation*.

Both features can be activated simultaneously or independently from each other.



THE ON DEMAND BUTTON

The *on demand button* can be pushed to repeat the striking hour and/or the animation. The functions activated depend on how the shift sticks are positioned.

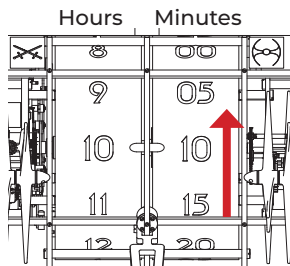
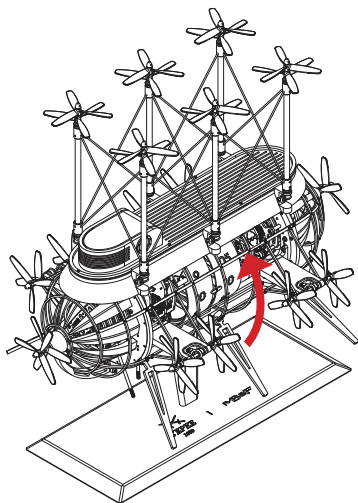


TIME SETTING

To set the time, gently turn the minutes cylinder **clockwise (towards the top)** until the correct time is set.

Be careful :

- ⚠ - Not to turn the minutes disc **anti-clockwise**
- Not to move the hours disc

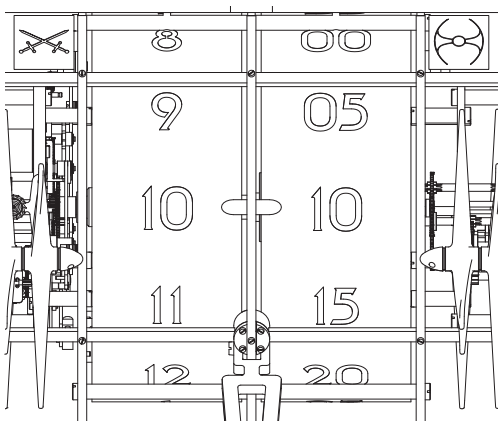


HOURS AND MINUTES DISPLAY

Hours and minutes are displayed on two rotating discs. The current time is indicated by a fixed needle in between the two discs.

Example:

Here it is 10:10



L'Epée 1839

Swiza Sa Manufacture
Rue St-Maurice 1
PO BOX 340
2800 Delémont
Switzerland

Customer Service:
Tel. +41 (0)32 421 94 05
E-mail: sav@swiza.ch

www.lepee1839.com